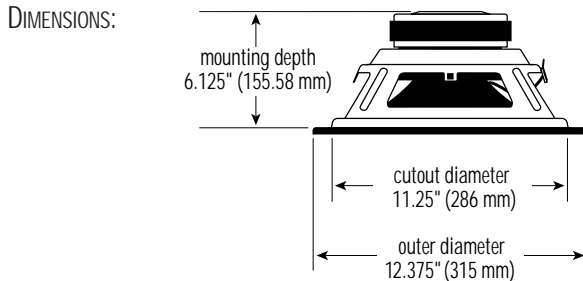


SPECIFICATIONS

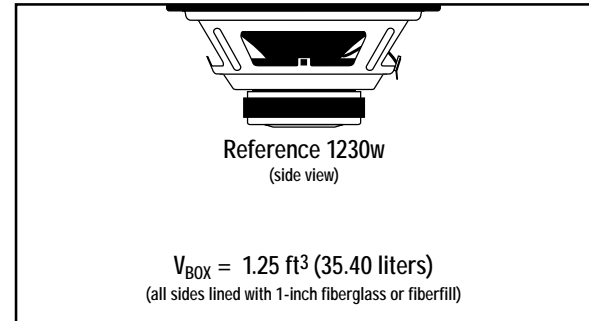
DIAMETER:	12" (304.8 mm)
SENSITIVITY (2.83 V @ 1 m):	90 dB
POWER HANDLING:	300 W _{RMS} 1200 W _{PEAK}
FREQUENCY RESPONSE:	23 ~ 400 Hz
NOMINAL IMPEDANCE:	4 OHMS
VOICE-COIL DIAMETER:	2.0" (50.0 mm)



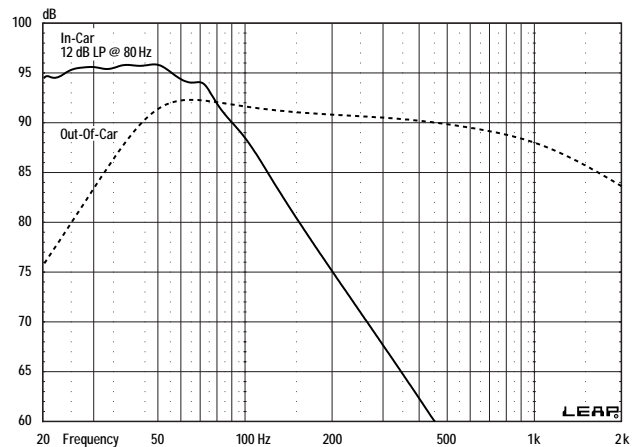
THIELE-SMALL PARAMETERS

VOICE COIL DC RESISTANCE:	R_{EVC} (OHMS)	3.40
VOICE COIL INDUCTANCE @ 1 kHz:	L_{EVC} (MH)	2.54
DRIVER RADIATING AREA:	S_D (IN ²)	82.48
	S_D (M ²)	532.00
MOTOR FORCE FACTOR:	BL (TM)	14.63
COMPLIANCE VOLUME:	V_{AS} (FT ³)	2.78
	V_{AS} (LITERS)	78.50
SUSPENSION COMPLIANCE:	C_{MS} (µM/N)	195.40
MOVING MASS, AIR LOAD:	M_{MS} (GRAMS)	174.21
MOVING MASS, DIAPHRAGM:	M_{MD} (GRAMS)	167.15
FREE-AIR RESONANCE:	F_S (Hz)	27.27
MECHANICAL Q:	Q_{MS}	6.14
ELECTRICAL Q:	Q_{ES}	0.47
TOTAL Q:	Q_{TS}	0.44
MAGNETIC-GAP HEIGHT:	H_{AG} (IN)	32.50
	H_{AG} (MM)	8.00
VOICE-COIL HEIGHT:	H_{VC} (IN)	1.27
	H_{VC} (MM)	32.50
MAXIMUM EXCURSION:	X_{MAX} (IN)	0.49
	X_{MAX} (MM)	12.25

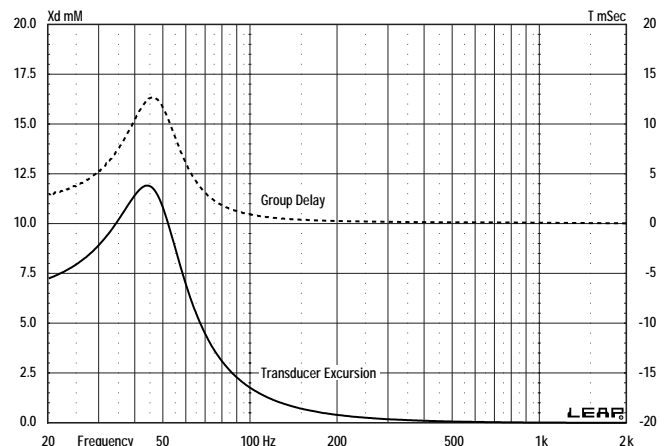
SEALED BOX VOLUME (INCLUDES DRIVER DISPLACEMENT)



SEALED FREQUENCY RESPONSE @ 2.83 V



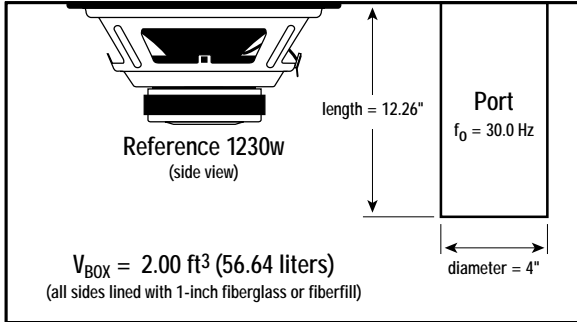
SEALED EXCURSION/GROUP DELAY @ 300 W



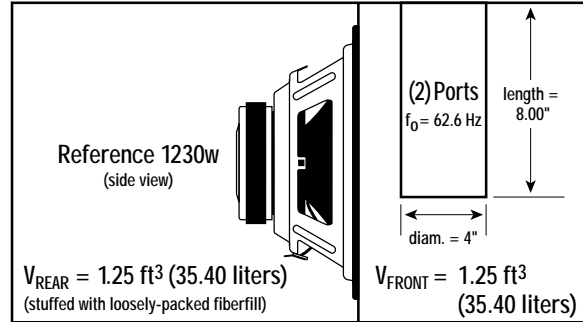
Infinity *Reference 1230w 12" Woofer – Technical Data*

CAR AUDIO

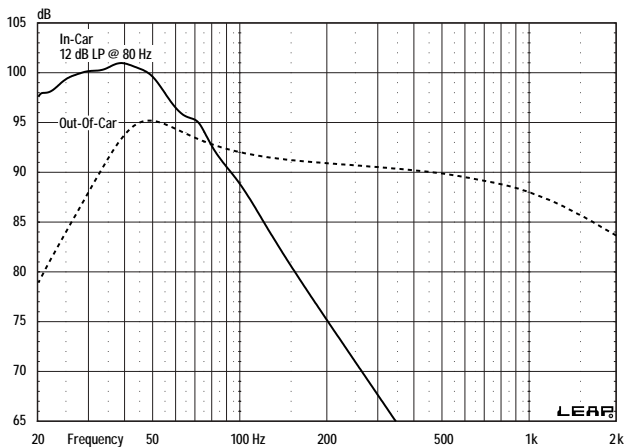
VENTED BOX VOLUME (INCLUDES DRIVER/PORT DISPLACEMENTS)



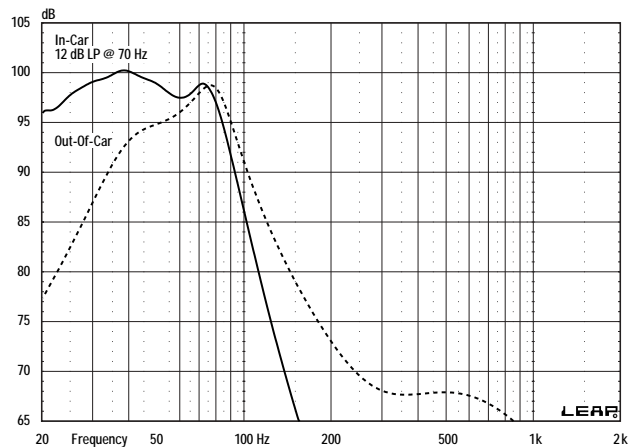
SEALED BANDPASS BOX VOLUME (INCLUDES DRIVER/PORT DISPLACEMENTS)



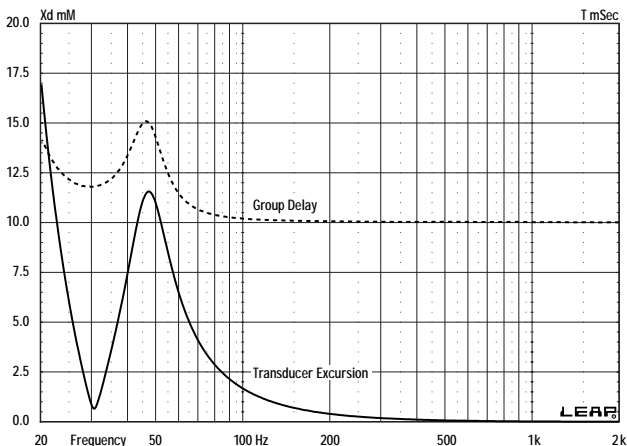
VENTED FREQUENCY RESPONSE @ 2.83 V



SEALED BANDPASS FREQUENCY RESPONSE @ 2.83 V



VENTED EXCURSION/GROUP DELAY @ 350 W



SEALED BANDPASS EXCURSION/GROUP DELAY @ 300 W

